

di Vecchi Ivan Alessandro & C.  
 Viale Europa, 6 - 24040 Bottanuco (BG) Italy  
 P.Iva 01470300169  
 N. Iscr. Registro Imprese di Bergamo e Cod. Fisc.: 01470300169  
 R.E.A. di Bergamo n. 208600 - N° Albo Artigiani BG - 78898  
[http:// www.fratellivecchi.it](http://www.fratellivecchi.it)  
 E-mail: [info@fratellivecchi.it](mailto:info@fratellivecchi.it)



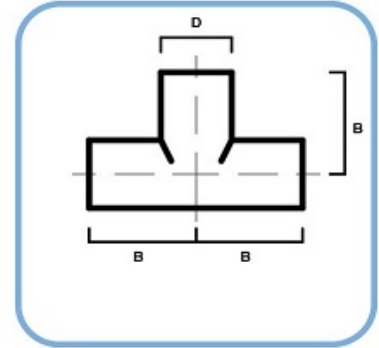
NORMA EN 10253.3 - 10253.4

ISO

**Art. 200/G**

Tee ISO standard decapati  
 ISO expanding tee pickled

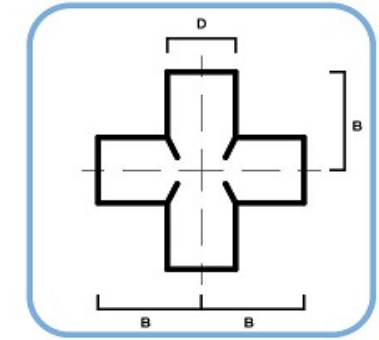
D	B	2 MM AISI 304 COD.ART.	3 MM AISI 304 COD.ART.	2 MM AISI 316 COD.ART.	3 MM AISI 316 COD.ART.
17,1	30,0	200G2-17.4	200G3-17.4	200G2-17.6	200G3-17.6
21,3	25,4	200G2-21.4	200G3-21.4	200G2-21.6	200G3-21.6
26,9	28,5	200G2-26.4	200G3-26.4	200G2-26.6	200G3-26.6
33,7	38,1	200G2-33.4	200G3-33.4	200G2-33.6	200G3-33.6
42,4	47,8	200G2-42.4	200G3-42.4	200G2-42.6	200G3-42.6
48,3	57,1	200G2-48.4	200G3-48.4	200G2-48.6	200G3-48.6
60,3	63,5	200G2-60.4	200G3-60.4	200G2-60.6	200G3-60.6
76,1	76,2	200G2-76.4	200G3-76.4	200G2-76.6	200G3-76.6
88,9	85,9	200G2-88.4	200G3-88.4	200G2-88.6	200G3-88.6
101,6	105,0	200G2-101.4	200G3-101.4	200G2-101.6	200G3-101.6
114,3	105,0	200G2-114.4	200G3-114.4	200G2-114.6	200G3-114.6
129	124,0	200G2-129.4	200G3-129.4	200G2-129.6	200G3-129.6
139,7	124,0	200G2-139.4	200G3-139.4	200G2-139.6	200G3-139.6
168,3	143,0	200G2-168.4	200G3-168.4	200G2-168.6	200G3-168.6
219,1	178,0	200G2-219.4	200G3-219.4	200G2-219.6	200G3-219.6



**Art. 230/G**

Croci ISO decapate  
 Iso expanding cross pickled

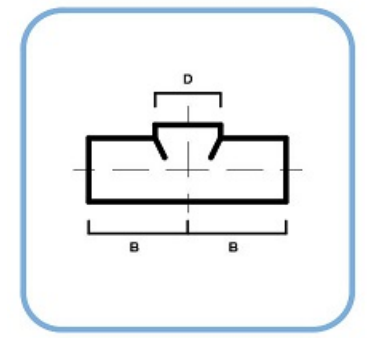
D	B	2 MM AISI 304 COD.ART.	3 MM AISI 304 COD.ART.	2 MM AISI 316 COD.ART.	3 MM AISI 316 COD.ART.
17,1	30,0	230G2-17.4	230G3-17.4	230G2-17.6	230G3-17.6
21,3	25,4	230G2-21.4	230G3-21.4	230G2-21.6	230G3-21.6
26,9	28,5	230G2-26.4	230G3-26.4	230G2-26.6	230G3-26.6
33,7	38,1	230G2-33.4	230G3-33.4	230G2-33.6	230G3-33.6
42,4	47,8	230G2-42.4	230G3-42.4	230G2-42.6	230G3-42.6
48,3	57,1	230G2-48.4	230G3-48.4	230G2-48.6	230G3-48.6
60,3	63,5	230G2-60.4	230G3-60.4	230G2-60.6	230G3-60.6
76,1	76,2	230G2-76.4	230G3-76.4	230G2-76.6	230G3-76.6
88,9	85,9	230G2-88.4	230G3-88.4	230G2-88.6	230G3-88.6
101,6	105,0	230G2-101.4	230G3-101.4	230G2-101.6	230G3-101.6
114,3	105,0	230G2-114.4	230G3-114.4	230G2-114.6	230G3-114.6
129	124,0	230G2-129.4	230G3-129.4	230G2-129.6	230G3-129.6
139,7	124,0	230G2-139.4	230G3-139.4	230G2-139.6	230G3-139.6
168,3	143,0	230G2-168.4	230G3-168.4	230G2-168.6	230G3-168.6
219,1	178,0	230G2-219.4	230G3-219.4	230G2-219.6	230G3-219.6



**Art. 240/G**

Tee ISO solo sboccati decapati  
 Gas welding tee pickled

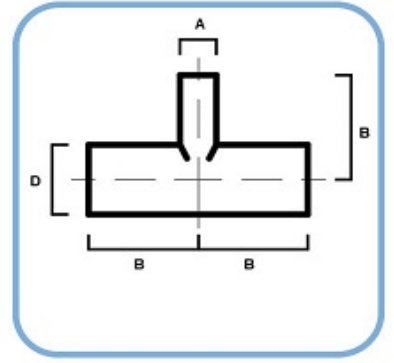
D	B	2 MM AISI 304 COD.ART.	3 MM AISI 304 COD.ART.	2 MM AISI 316 COD.ART.	3 MM AISI 316 COD.ART.
21,3	25,4	240G2-21.4	240G3-21.4	240G2-21.6	240G3-21.6
26,9	28,5	240G2-26.4	240G3-26.4	240G2-26.6	240G3-26.6
33,7	38,1	240G2-33.4	240G3-33.4	240G2-33.6	240G3-33.6
42,4	47,8	240G2-42.4	240G3-42.4	240G2-42.6	240G3-42.6
48,3	57,1	240G2-48.4	240G3-48.4	240G2-48.6	240G3-48.6
60,3	63,5	240G2-60.4	240G3-60.4	240G2-60.6	240G3-60.6
76,1	76,2	240G2-76.4	240G3-76.4	240G2-76.6	240G3-76.6
88,9	85,9	240G2-88.4	240G3-88.4	240G2-88.6	240G3-88.6
101,6	105,0	240G2-101.4	240G3-101.4	240G2-101.6	240G3-101.6
114,3	105,0	240G2-114.4	240G3-114.4	240G2-114.6	240G3-114.6
129	124,0	240G2-129.4	240G3-129.4	240G2-129.6	240G3-129.6
139,7	124,0	240G2-139.4	240G3-139.4	240G2-139.6	240G3-139.6
168,3	143,0	240G2-168.4	240G3-168.4	240G2-168.6	240G3-168.6
219,1	178,0	240G2-219.4	240G3-219.4	240G2-219.6	240G3-219.6



Art. 220/G

Tee ridotti ISO decapati  
ISO reducing tee pickled

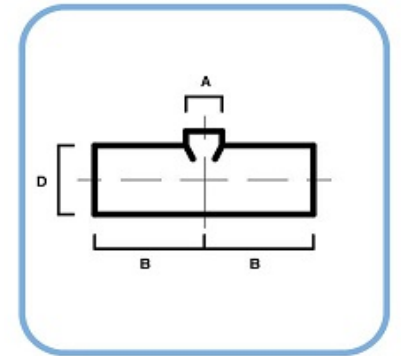
D	A	B	2 MM AISI 304 COD.ART.	3 MM AISI 304 COD.ART.	2 MM AISI 316 COD.ART.	3 MM AISI 316 COD.ART.
21,3	17,2	25,40	220G2-21/17.4	220G3-21/17.4	220G2-21/17.6	220G3-21/17.6
26,9	17,2	28,50	220G2-26/17.4	220G3-26/17.4	220G2-26/17.6	220G3-26/17.6
	21,3		220G2-26/21.4	220G3-26/21.4	220G2-26/21.6	220G3-26/21.6
33,7	17,2	38,10	220G2-33/17.4	220G3-33/17.4	220G2-33/17.6	220G3-33/17.6
	21,3		220G2-33/21.4	220G3-33/21.4	220G2-33/21.6	220G3-33/21.6
	26,9		220G2-33/26.4	220G3-33/26.4	220G2-33/26.6	220G3-33/26.6
42,4	17,2	47,80	220G2-42/17.4	220G3-42/17.4	220G2-42/17.6	220G3-42/17.6
	21,3		220G2-42/21.4	220G3-42/21.4	220G2-42/21.6	220G3-42/21.6
	26,9		220G2-42/26.4	220G3-42/26.4	220G2-42/26.6	220G3-42/26.6
	33,7		220G2-42/33.4	220G3-42/33.4	220G2-42/33.6	220G3-42/33.6
48,3	17,2	57,10	220G2-48/17.4	220G3-48/17.4	220G2-48/17.6	220G3-48/17.6
	21,3		220G2-48/21.4	220G3-48/21.4	220G2-48/21.6	220G3-48/21.6
	26,9		220G2-48/26.4	220G3-48/26.4	220G2-48/26.6	220G3-48/26.6
	33,7		220G2-48/33.4	220G3-48/33.4	220G2-48/33.6	220G3-48/33.6
60,3	17,2	63,50	220G2-60/17.4	220G3-60/17.4	220G2-60/17.6	220G3-60/17.6
	21,3		220G2-60/21.4	220G3-60/21.4	220G2-60/21.6	220G3-60/21.6
	26,9		220G2-60/26.4	220G3-60/26.4	220G2-60/26.6	220G3-60/26.6
	33,7		220G2-60/33.4	220G3-60/33.4	220G2-60/33.6	220G3-60/33.6
76,1	42,4	76,20	220G2-60/42.4	220G3-60/42.4	220G2-60/42.6	220G3-60/42.6
	48,3		220G2-60/48.4	220G3-60/48.4	220G2-60/48.6	220G3-60/48.6
	60,3		220G2-60/60.4	220G3-60/60.4	220G2-60/60.6	220G3-60/60.6
	17,2		220G2-76/17.4	220G3-76/17.4	220G2-76/17.6	220G3-76/17.6
	21,3		220G2-76/21.4	220G3-76/21.4	220G2-76/21.6	220G3-76/21.6
88,9	26,9	85,90	220G2-76/26.4	220G3-76/26.4	220G2-76/26.6	220G3-76/26.6
	33,7		220G2-76/33.4	220G3-76/33.4	220G2-76/33.6	220G3-76/33.6
	42,4		220G2-76/42.4	220G3-76/42.4	220G2-76/42.6	220G3-76/42.6
	48,3		220G2-76/48.4	220G3-76/48.4	220G2-76/48.6	220G3-76/48.6
	60,3		220G2-76/60.4	220G3-76/60.4	220G2-76/60.6	220G3-76/60.6
101,6	76,1	105,0	220G2-76/76.4	220G3-76/76.4	220G2-76/76.6	220G3-76/76.6
	17,2		220G2-88/17.4	220G3-88/17.4	220G2-88/17.6	220G3-88/17.6
	21,3		220G2-88/21.4	220G3-88/21.4	220G2-88/21.6	220G3-88/21.6
	26,9		220G2-88/26.4	220G3-88/26.4	220G2-88/26.6	220G3-88/26.6
	33,7		220G2-88/33.4	220G3-88/33.4	220G2-88/33.6	220G3-88/33.6
	42,4		220G2-88/42.4	220G3-88/42.4	220G2-88/42.6	220G3-88/42.6
	48,3		220G2-88/48.4	220G3-88/48.4	220G2-88/48.6	220G3-88/48.6
114,3	60,3	105,0	220G2-88/60.4	220G3-88/60.4	220G2-88/60.6	220G3-88/60.6
	76,1		220G2-88/76.4	220G3-88/76.4	220G2-88/76.6	220G3-88/76.6
	17,2		220G2-101/17.4	220G3-101/17.4	220G2-101/17.6	220G3-101/17.6
	21,3		220G2-101/21.4	220G3-101/21.4	220G2-101/21.6	220G3-101/21.6
	26,9		220G2-101/26.4	220G3-101/26.4	220G2-101/26.6	220G3-101/26.6
	33,7		220G2-101/33.4	220G3-101/33.4	220G2-101/33.6	220G3-101/33.6
	42,4		220G2-101/42.4	220G3-101/42.4	220G2-101/42.6	220G3-101/42.6
139,7	48,3	124,0	220G2-101/48.4	220G3-101/48.4	220G2-101/48.6	220G3-101/48.6
	60,3		220G2-101/60.4	220G3-101/60.4	220G2-101/60.6	220G3-101/60.6
	76,1		220G2-101/76.4	220G3-101/76.4	220G2-101/76.6	220G3-101/76.6
	88,9		220G2-101/88.4	220G3-101/88.4	220G2-101/88.6	220G3-101/88.6
	17,2		220G2-114/17.4	220G3-114/17.4	220G2-114/17.6	220G3-114/17.6
	21,3		220G2-114/21.4	220G3-114/21.4	220G2-114/21.6	220G3-114/21.6
	26,9		220G2-114/26.4	220G3-114/26.4	220G2-114/26.6	220G3-114/26.6
168,3	33,7	143,0	220G2-114/33.4	220G3-114/33.4	220G2-114/33.6	220G3-114/33.6
	42,4		220G2-114/42.4	220G3-114/42.4	220G2-114/42.6	220G3-114/42.6
	48,3		220G2-114/48.4	220G3-114/48.4	220G2-114/48.6	220G3-114/48.6
	60,3		220G2-114/60.4	220G3-114/60.4	220G2-114/60.6	220G3-114/60.6
	76,1		220G2-114/76.4	220G3-114/76.4	220G2-114/76.6	220G3-114/76.6
	88,9		220G2-114/88.4	220G3-114/88.4	220G2-114/88.6	220G3-114/88.6
	101,6		220G2-114/101.4	220G3-114/101.4	220G2-114/101.6	220G3-114/101.6
219,1	114,3	178,0	220G2-114/114.4	220G3-114/114.4	220G2-114/114.6	220G3-114/114.6
	139,7		220G2-114/139.4	220G3-114/139.4	220G2-114/139.6	220G3-114/139.6
	17,2		220G2-139/17.4	220G3-139/17.4	220G2-139/17.6	220G3-139/17.6
	21,3		220G2-139/21.4	220G3-139/21.4	220G2-139/21.6	220G3-139/21.6
	26,9		220G2-139/26.4	220G3-139/26.4	220G2-139/26.6	220G3-139/26.6
	33,7		220G2-139/33.4	220G3-139/33.4	220G2-139/33.6	220G3-139/33.6
	42,4		220G2-139/42.4	220G3-139/42.4	220G2-139/42.6	220G3-139/42.6
168,3	48,3	143,0	220G2-139/48.4	220G3-139/48.4	220G2-139/48.6	220G3-139/48.6
	60,3		220G2-139/60.4	220G3-139/60.4	220G2-139/60.6	220G3-139/60.6
	76,1		220G2-139/76.4	220G3-139/76.4	220G2-139/76.6	220G3-139/76.6
	88,9		220G2-139/88.4	220G3-139/88.4	220G2-139/88.6	220G3-139/88.6
	101,6		220G2-139/101.4	220G3-139/101.4	220G2-139/101.6	220G3-139/101.6
	114,3		220G2-139/114.4	220G3-139/114.4	220G2-139/114.6	220G3-139/114.6
	139,7		220G2-139/139.4	220G3-139/139.4	220G2-139/139.6	220G3-139/139.6
168,3	17,2	143,0	220G2-168/17.4	220G3-168/17.4	220G2-168/17.6	220G3-168/17.6
	21,3		220G2-168/21.4	220G3-168/21.4	220G2-168/21.6	220G3-168/21.6
	26,9		220G2-168/26.4	220G3-168/26.4	220G2-168/26.6	220G3-168/26.6
	33,7		220G2-168/33.4	220G3-168/33.4	220G2-168/33.6	220G3-168/33.6
	42,4		220G2-168/42.4	220G3-168/42.4	220G2-168/42.6	220G3-168/42.6
	48,3		220G2-168/48.4	220G3-168/48.4	220G2-168/48.6	220G3-168/48.6
	60,3		220G2-168/60.4	220G3-168/60.4	220G2-168/60.6	220G3-168/60.6
168,3	76,1	143,0	220G2-168/76.4	220G3-168/76.4	220G2-168/76.6	220G3-168/76.6
	88,9		220G2-168/88.4	220G3-168/88.4	220G2-168/88.6	220G3-168/88.6
	101,6		220G2-168/101.4	220G3-168/101.4	220G2-168/101.6	220G3-168/101.6
	114,3		220G2-168/114.4	220G3-168/114.4	220G2-168/114.6	220G3-168/114.6
	139,7		220G2-168/139.4	220G3-168/139.4	220G2-168/139.6	220G3-168/139.6
	17,2		220G2-219/17.4	220G3-219/17.4	220G2-219/17.6	220G3-219/17.6
	21,3		220G2-219/21.4	220G3-219/21.4	220G2-219/21.6	220G3-219/21.6
26,9	220G2-219/26.4	220G3-219/26.4	220G2-219/26.6	220G3-219/26.6		
219,1	33,7	178,0	220G2-219/33.4	220G3-219/33.4	220G2-219/33.6	220G3-219/33.6
	42,4		220G2-219/42.4	220G3-219/42.4	220G2-219/42.6	220G3-219/42.6
	48,3		220G2-219/48.4	220G3-219/48.4	220G2-219/48.6	220G3-219/48.6
	60,3		220G2-219/60.4	220G3-219/60.4	220G2-219/60.6	220G3-219/60.6
	76,1		220G2-219/76.4	220G3-219/76.4	220G2-219/76.6	220G3-219/76.6
	88,9		220G2-219/88.4	220G3-219/88.4	220G2-219/88.6	220G3-219/88.6
	101,6		220G2-219/101.4	220G3-219/101.4	220G2-219/101.6	220G3-219/101.6
168,3	114,3	178,0	220G2-219/114.4	220G3-219/114.4	220G2-219/114.6	220G3-219/114.6
	139,7		220G2-219/139.4	220G3-219/139.4	220G2-219/139.6	220G3-219/139.6
	168,3		220G2-219/168.4	220G3-219/168.4	220G2-219/168.6	220G3-219/168.6



**Art. 250/G**

Tee ridotti sboccati decapati ISO  
ISO reducing tee extruder pickled

D	A	B	2 MM AISI 304 COD.ART.	3 MM AISI 304 COD.ART.	2 MM AISI 316 COD.ART.	3 MM AISI 316 COD.ART.
21,3	17,2	25,40	250G2-21/17.4	250G3-21/17.4	250G2-21/17.6	250G3-21/17.6
26,9	17,2	28,50	250G2-26/17.4	250G3-26/17.4	250G2-26/17.6	250G3-26/17.6
	21,3		250G2-26/21.4	250G3-26/21.4	250G2-26/21.6	250G3-26/21.6
33,7	17,2	38,10	250G2-33/17.4	250G3-33/17.4	250G2-33/17.6	250G3-33/17.6
	21,3		250G2-33/21.4	250G3-33/21.4	250G2-33/21.6	250G3-33/21.6
	26,9		250G2-33/26.4	250G3-33/26.4	250G2-33/26.6	250G3-33/26.6
	33,7		250G2-33/33.4	250G3-33/33.4	250G2-33/33.6	250G3-33/33.6
42,4	17,2	47,80	250G2-42/17.4	250G3-42/17.4	250G2-42/17.6	250G3-42/17.6
	21,3		250G2-42/21.4	250G3-42/21.4	250G2-42/21.6	250G3-42/21.6
	26,9		250G2-42/26.4	250G3-42/26.4	250G2-42/26.6	250G3-42/26.6
	33,7		250G2-42/33.4	250G3-42/33.4	250G2-42/33.6	250G3-42/33.6
	42,4		250G2-42/42.4	250G3-42/42.4	250G2-42/42.6	250G3-42/42.6
48,3	17,2	57,10	250G2-48/17.4	250G3-48/17.4	250G2-48/17.6	250G3-48/17.6
	21,3		250G2-48/21.4	250G3-48/21.4	250G2-48/21.6	250G3-48/21.6
	26,9		250G2-48/26.4	250G3-48/26.4	250G2-48/26.6	250G3-48/26.6
	33,7		250G2-48/33.4	250G3-48/33.4	250G2-48/33.6	250G3-48/33.6
	42,4		250G2-48/42.4	250G3-48/42.4	250G2-48/42.6	250G3-48/42.6
60,3	17,2	63,50	250G2-60/17.4	250G3-60/17.4	250G2-60/17.6	250G3-60/17.6
	21,3		250G2-60/21.4	250G3-60/21.4	250G2-60/21.6	250G3-60/21.6
	26,9		250G2-60/26.4	250G3-60/26.4	250G2-60/26.6	250G3-60/26.6
	33,7		250G2-60/33.4	250G3-60/33.4	250G2-60/33.6	250G3-60/33.6
	42,4		250G2-60/42.4	250G3-60/42.4	250G2-60/42.6	250G3-60/42.6
76,1	17,2	76,20	250G2-76/17.4	250G3-76/17.4	250G2-76/17.6	250G3-76/17.6
	21,3		250G2-76/21.4	250G3-76/21.4	250G2-76/21.6	250G3-76/21.6
	26,9		250G2-76/26.4	250G3-76/26.4	250G2-76/26.6	250G3-76/26.6
	33,7		250G2-76/33.4	250G3-76/33.4	250G2-76/33.6	250G3-76/33.6
	42,4		250G2-76/42.4	250G3-76/42.4	250G2-76/42.6	250G3-76/42.6
	48,3		250G2-76/48.4	250G3-76/48.4	250G2-76/48.6	250G3-76/48.6
	60,3		250G2-76/60.4	250G3-76/60.4	250G2-76/60.6	250G3-76/60.6
88,9	17,2	85,90	250G2-88/17.4	250G3-88/17.4	250G2-88/17.6	250G3-88/17.6
	21,3		250G2-88/21.4	250G3-88/21.4	250G2-88/21.6	250G3-88/21.6
	26,9		250G2-88/26.4	250G3-88/26.4	250G2-88/26.6	250G3-88/26.6
	33,7		250G2-88/33.4	250G3-88/33.4	250G2-88/33.6	250G3-88/33.6
	42,4		250G2-88/42.4	250G3-88/42.4	250G2-88/42.6	250G3-88/42.6
	48,3		250G2-88/48.4	250G3-88/48.4	250G2-88/48.6	250G3-88/48.6
	60,3		250G2-88/60.4	250G3-88/60.4	250G2-88/60.6	250G3-88/60.6
101,6	17,2	105,0	250G2-101/17.4	250G3-101/17.4	250G2-101/17.6	250G3-101/17.6
	21,3		250G2-101/21.4	250G3-101/21.4	250G2-101/21.6	250G3-101/21.6
	26,9		250G2-101/26.4	250G3-101/26.4	250G2-101/26.6	250G3-101/26.6
	33,7		250G2-101/33.4	250G3-101/33.4	250G2-101/33.6	250G3-101/33.6
	42,4		250G2-101/42.4	250G3-101/42.4	250G2-101/42.6	250G3-101/42.6
	48,3		250G2-101/48.4	250G3-101/48.4	250G2-101/48.6	250G3-101/48.6
	60,3		250G2-101/60.4	250G3-101/60.4	250G2-101/60.6	250G3-101/60.6
	76,1		250G2-101/76.4	250G3-101/76.4	250G2-101/76.6	250G3-101/76.6
	88,9		250G2-101/88.4	250G3-101/88.4	250G2-101/88.6	250G3-101/88.6
114,3	17,2	105,0	250G2-114/17.4	250G3-114/17.4	250G2-114/17.6	250G3-114/17.6
	21,3		250G2-114/21.4	250G3-114/21.4	250G2-114/21.6	250G3-114/21.6
	26,9		250G2-114/26.4	250G3-114/26.4	250G2-114/26.6	250G3-114/26.6
	33,7		250G2-114/33.4	250G3-114/33.4	250G2-114/33.6	250G3-114/33.6
	42,4		250G2-114/42.4	250G3-114/42.4	250G2-114/42.6	250G3-114/42.6
	48,3		250G2-114/48.4	250G3-114/48.4	250G2-114/48.6	250G3-114/48.6
	60,3		250G2-114/60.4	250G3-114/60.4	250G2-114/60.6	250G3-114/60.6
	76,1		250G2-114/76.4	250G3-114/76.4	250G2-114/76.6	250G3-114/76.6
	88,9		250G2-114/88.4	250G3-114/88.4	250G2-114/88.6	250G3-114/88.6
	101,6		250G2-114/101.4	250G3-114/101.4	250G2-114/101.6	250G3-114/101.6
139,7	17,2	124,0	250G2-139/17.4	250G3-139/17.4	250G2-139/17.6	250G3-139/17.6
	21,3		250G2-139/21.4	250G3-139/21.4	250G2-139/21.6	250G3-139/21.6
	26,9		250G2-139/26.4	250G3-139/26.4	250G2-139/26.6	250G3-139/26.6
	33,7		250G2-139/33.4	250G3-139/33.4	250G2-139/33.6	250G3-139/33.6
	42,4		250G2-139/42.4	250G3-139/42.4	250G2-139/42.6	250G3-139/42.6
	48,3		250G2-139/48.4	250G3-139/48.4	250G2-139/48.6	250G3-139/48.6
	60,3		250G2-139/60.4	250G3-139/60.4	250G2-139/60.6	250G3-139/60.6
	76,1		250G2-139/76.4	250G3-139/76.4	250G2-139/76.6	250G3-139/76.6
	88,9		250G2-139/88.4	250G3-139/88.4	250G2-139/88.6	250G3-139/88.6
	101,6		250G2-139/101.4	250G3-139/101.4	250G2-139/101.6	250G3-139/101.6
168,3	17,2	143,0	250G2-168/17.4	250G3-168/17.4	250G2-168/17.6	250G3-168/17.6
	21,3		250G2-168/21.4	250G3-168/21.4	250G2-168/21.6	250G3-168/21.6
	26,9		250G2-168/26.4	250G3-168/26.4	250G2-168/26.6	250G3-168/26.6
	33,7		250G2-168/33.4	250G3-168/33.4	250G2-168/33.6	250G3-168/33.6
	42,4		250G2-168/42.4	250G3-168/42.4	250G2-168/42.6	250G3-168/42.6
	48,3		250G2-168/48.4	250G3-168/48.4	250G2-168/48.6	250G3-168/48.6
	60,3		250G2-168/60.4	250G3-168/60.4	250G2-168/60.6	250G3-168/60.6
	76,1		250G2-168/76.4	250G3-168/76.4	250G2-168/76.6	250G3-168/76.6
	88,9		250G2-168/88.4	250G3-168/88.4	250G2-168/88.6	250G3-168/88.6
	101,6		250G2-168/101.4	250G3-168/101.4	250G2-168/101.6	250G3-168/101.6
219,1	17,2	178,0	250G2-219/17.4	250G3-219/17.4	250G2-219/17.6	250G3-219/17.6
	21,3		250G2-219/21.4	250G3-219/21.4	250G2-219/21.6	250G3-219/21.6
	26,9		250G2-219/26.4	250G3-219/26.4	250G2-219/26.6	250G3-219/26.6
	33,7		250G2-219/33.4	250G3-219/33.4	250G2-219/33.6	250G3-219/33.6
	42,4		250G2-219/42.4	250G3-219/42.4	250G2-219/42.6	250G3-219/42.6
	48,3		250G2-219/48.4	250G3-219/48.4	250G2-219/48.6	250G3-219/48.6
	60,3		250G2-219/60.4	250G3-219/60.4	250G2-219/60.6	250G3-219/60.6
	76,1		250G2-219/76.4	250G3-219/76.4	250G2-219/76.6	250G3-219/76.6
	88,9		250G2-219/88.4	250G3-219/88.4	250G2-219/88.6	250G3-219/88.6
	101,6		250G2-219/101.4	250G3-219/101.4	250G2-219/101.6	250G3-219/101.6
114,3	250G2-219/114.4	250G3-219/114.4	250G2-219/114.6	250G3-219/114.6		
139,7	250G2-219/139.4	250G3-219/139.4	250G2-219/139.6	250G3-219/139.6		
168,3	250G2-219/168.4	250G3-219/168.4	250G2-219/168.6	250G3-219/168.6		

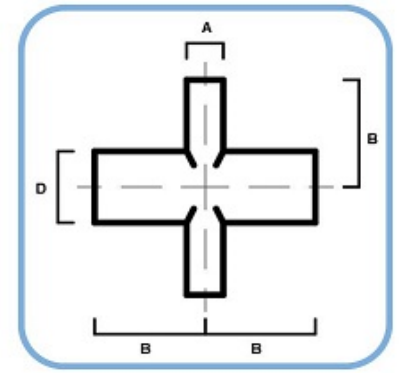


Art. 260/G

Croci ridotte saldate decapate ISO

Reduced crosses ISO pickled

Table with 10 columns: D, A, B, 2 MM AISI 304 COD.ART., 3 MM AISI 304 COD.ART., 2 MM AISI 316 COD.ART., 3 MM AISI 316 COD.ART.

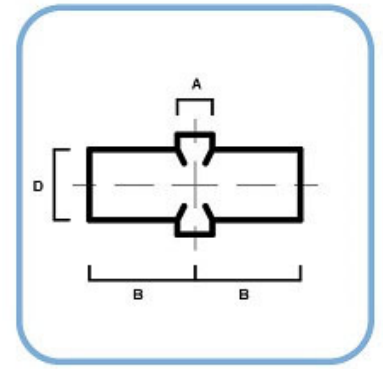


**Art. 270/G**

Croci ridotte stampate ISO decapate

Welded reduced crosses ISO pickled

D	A	B	2 MM AISI 304 COD.ART.	3 MM AISI 304 COD.ART.	2 MM AISI 316 COD.ART.	3 MM AISI 316 COD.ART.
21,3	17,2	25,40	260G2-21/17.4	260G3-21/17.4	260G2-21/17.6	260G3-21/17.6
26,9	17,2	28,50	260G2-26/17.4	260G3-26/17.4	260G2-26/17.6	260G3-26/17.6
	21,3		260G2-26/21.4	260G3-26/21.4	260G2-26/21.6	260G3-26/21.6
33,7	17,2	38,10	260G2-33/17.4	260G3-33/17.4	260G2-33/17.6	260G3-33/17.6
	21,3		260G2-33/21.4	260G3-33/21.4	260G2-33/21.6	260G3-33/21.6
	26,9		260G2-33/26.4	260G3-33/26.4	260G2-33/26.6	260G3-33/26.6
42,4	17,2	47,80	260G2-42/17.4	260G3-42/17.4	260G2-42/17.6	260G3-42/17.6
	21,3		260G2-42/21.4	260G3-42/21.4	260G2-42/21.6	260G3-42/21.6
	26,9		260G2-42/26.4	260G3-42/26.4	260G2-42/26.6	260G3-42/26.6
	33,7		260G2-42/33.4	260G3-42/33.4	260G2-42/33.6	260G3-42/33.6
48,3	17,2	57,10	260G2-48/17.4	260G3-48/17.4	260G2-48/17.6	260G3-48/17.6
	21,3		260G2-48/21.4	260G3-48/21.4	260G2-48/21.6	260G3-48/21.6
	26,9		260G2-48/26.4	260G3-48/26.4	260G2-48/26.6	260G3-48/26.6
	33,7		260G2-48/33.4	260G3-48/33.4	260G2-48/33.6	260G3-48/33.6
	42,4		260G2-48/42.4	260G3-48/42.4	260G2-48/42.6	260G3-48/42.6
60,3	17,2	63,50	260G2-60/17.4	260G3-60/17.4	260G2-60/17.6	260G3-60/17.6
	21,3		260G2-60/21.4	260G3-60/21.4	260G2-60/21.6	260G3-60/21.6
	26,9		260G2-60/26.4	260G3-60/26.4	260G2-60/26.6	260G3-60/26.6
	33,7		260G2-60/33.4	260G3-60/33.4	260G2-60/33.6	260G3-60/33.6
	42,4		260G2-60/42.4	260G3-60/42.4	260G2-60/42.6	260G3-60/42.6
	48,3		260G2-60/48.4	260G3-60/48.4	260G2-60/48.6	260G3-60/48.6
76,1	17,2	76,20	260G2-76/17.4	260G3-76/17.4	260G2-76/17.6	260G3-76/17.6
	21,3		260G2-76/21.4	260G3-76/21.4	260G2-76/21.6	260G3-76/21.6
	26,9		260G2-76/26.4	260G3-76/26.4	260G2-76/26.6	260G3-76/26.6
	33,7		260G2-76/33.4	260G3-76/33.4	260G2-76/33.6	260G3-76/33.6
	42,4		260G2-76/42.4	260G3-76/42.4	260G2-76/42.6	260G3-76/42.6
	48,3		260G2-76/48.4	260G3-76/48.4	260G2-76/48.6	260G3-76/48.6
	60,3		260G2-76/60.4	260G3-76/60.4	260G2-76/60.6	260G3-76/60.6
88,9	17,2	85,90	260G2-88/17.4	260G3-88/17.4	260G2-88/17.6	260G3-88/17.6
	21,3		260G2-88/21.4	260G3-88/21.4	260G2-88/21.6	260G3-88/21.6
	26,9		260G2-88/26.4	260G3-88/26.4	260G2-88/26.6	260G3-88/26.6
	33,7		260G2-88/33.4	260G3-88/33.4	260G2-88/33.6	260G3-88/33.6
	42,4		260G2-88/42.4	260G3-88/42.4	260G2-88/42.6	260G3-88/42.6
	48,3		260G2-88/48.4	260G3-88/48.4	260G2-88/48.6	260G3-88/48.6
	60,3		260G2-88/60.4	260G3-88/60.4	260G2-88/60.6	260G3-88/60.6
	76,1		260G2-88/76.4	260G3-88/76.4	260G2-88/76.6	260G3-88/76.6
101,6	17,2	105,0	260G2-101/17.4	260G3-101/17.4	260G2-101/17.6	260G3-101/17.6
	21,3		260G2-101/21.4	260G3-101/21.4	260G2-101/21.6	260G3-101/21.6
	26,9		260G2-101/26.4	260G3-101/26.4	260G2-101/26.6	260G3-101/26.6
	33,7		260G2-101/33.4	260G3-101/33.4	260G2-101/33.6	260G3-101/33.6
	42,4		260G2-101/42.4	260G3-101/42.4	260G2-101/42.6	260G3-101/42.6
	48,3		260G2-101/48.4	260G3-101/48.4	260G2-101/48.6	260G3-101/48.6
	60,3		260G2-101/60.4	260G3-101/60.4	260G2-101/60.6	260G3-101/60.6
	76,1		260G2-101/76.4	260G3-101/76.4	260G2-101/76.6	260G3-101/76.6
	88,9		260G2-101/88.4	260G3-101/88.4	260G2-101/88.6	260G3-101/88.6
	101,6		260G2-101/101.4	260G3-101/101.4	260G2-101/101.6	260G3-101/101.6
114,3	17,2	105,0	260G2-114/17.4	260G3-114/17.4	260G2-114/17.6	260G3-114/17.6
	21,3		260G2-114/21.4	260G3-114/21.4	260G2-114/21.6	260G3-114/21.6
	26,9		260G2-114/26.4	260G3-114/26.4	260G2-114/26.6	260G3-114/26.6
	33,7		260G2-114/33.4	260G3-114/33.4	260G2-114/33.6	260G3-114/33.6
	42,4		260G2-114/42.4	260G3-114/42.4	260G2-114/42.6	260G3-114/42.6
	48,3		260G2-114/48.4	260G3-114/48.4	260G2-114/48.6	260G3-114/48.6
	60,3		260G2-114/60.4	260G3-114/60.4	260G2-114/60.6	260G3-114/60.6
	76,1		260G2-114/76.4	260G3-114/76.4	260G2-114/76.6	260G3-114/76.6
	88,9		260G2-114/88.4	260G3-114/88.4	260G2-114/88.6	260G3-114/88.6
	101,6		260G2-114/101.4	260G3-114/101.4	260G2-114/101.6	260G3-114/101.6
	114,3		260G2-114/114.4	260G3-114/114.4	260G2-114/114.6	260G3-114/114.6
139,7	17,2	124,0	260G2-139/17.4	260G3-139/17.4	260G2-139/17.6	260G3-139/17.6
	21,3		260G2-139/21.4	260G3-139/21.4	260G2-139/21.6	260G3-139/21.6
	26,9		260G2-139/26.4	260G3-139/26.4	260G2-139/26.6	260G3-139/26.6
	33,7		260G2-139/33.4	260G3-139/33.4	260G2-139/33.6	260G3-139/33.6
	42,4		260G2-139/42.4	260G3-139/42.4	260G2-139/42.6	260G3-139/42.6
	48,3		260G2-139/48.4	260G3-139/48.4	260G2-139/48.6	260G3-139/48.6
	60,3		260G2-139/60.4	260G3-139/60.4	260G2-139/60.6	260G3-139/60.6
	76,1		260G2-139/76.4	260G3-139/76.4	260G2-139/76.6	260G3-139/76.6
	88,9		260G2-139/88.4	260G3-139/88.4	260G2-139/88.6	260G3-139/88.6
	101,6		260G2-139/101.4	260G3-139/101.4	260G2-139/101.6	260G3-139/101.6
	114,3		260G2-139/114.4	260G3-139/114.4	260G2-139/114.6	260G3-139/114.6
	139,7		260G2-139/139.4	260G3-139/139.4	260G2-139/139.6	260G3-139/139.6
168,3	17,2	143,0	260G2-168/17.4	260G3-168/17.4	260G2-168/17.6	260G3-168/17.6
	21,3		260G2-168/21.4	260G3-168/21.4	260G2-168/21.6	260G3-168/21.6
	26,9		260G2-168/26.4	260G3-168/26.4	260G2-168/26.6	260G3-168/26.6
	33,7		260G2-168/33.4	260G3-168/33.4	260G2-168/33.6	260G3-168/33.6
	42,4		260G2-168/42.4	260G3-168/42.4	260G2-168/42.6	260G3-168/42.6
	48,3		260G2-168/48.4	260G3-168/48.4	260G2-168/48.6	260G3-168/48.6
	60,3		260G2-168/60.4	260G3-168/60.4	260G2-168/60.6	260G3-168/60.6
	76,1		260G2-168/76.4	260G3-168/76.4	260G2-168/76.6	260G3-168/76.6
	88,9		260G2-168/88.4	260G3-168/88.4	260G2-168/88.6	260G3-168/88.6
	101,6		260G2-168/101.4	260G3-168/101.4	260G2-168/101.6	260G3-168/101.6
	114,3		260G2-168/114.4	260G3-168/114.4	260G2-168/114.6	260G3-168/114.6
	139,7		260G2-168/139.4	260G3-168/139.4	260G2-168/139.6	260G3-168/139.6
	168,3		260G2-168/168.4	260G3-168/168.4	260G2-168/168.6	260G3-168/168.6
219,1	17,2	178,0	260G2-219/17.4	260G3-219/17.4	260G2-219/17.6	260G3-219/17.6
	21,3		260G2-219/21.4	260G3-219/21.4	260G2-219/21.6	260G3-219/21.6
	26,9		260G2-219/26.4	260G3-219/26.4	260G2-219/26.6	260G3-219/26.6
	33,7		260G2-219/33.4	260G3-219/33.4	260G2-219/33.6	260G3-219/33.6
	42,4		260G2-219/42.4	260G3-219/42.4	260G2-219/42.6	260G3-219/42.6
	48,3		260G2-219/48.4	260G3-219/48.4	260G2-219/48.6	260G3-219/48.6
	60,3		260G2-219/60.4	260G3-219/60.4	260G2-219/60.6	260G3-219/60.6
	76,1		260G2-219/76.4	260G3-219/76.4	260G2-219/76.6	260G3-219/76.6
	88,9		260G2-219/88.4	260G3-219/88.4	260G2-219/88.6	260G3-219/88.6
	101,6		260G2-219/101.4	260G3-219/101.4	260G2-219/101.6	260G3-219/101.6
	114,3		260G2-219/114.4	260G3-219/114.4	260G2-219/114.6	260G3-219/114.6
	139,7		260G2-219/139.4	260G3-219/139.4	260G2-219/139.6	260G3-219/139.6
	168,3		260G2-219/168.4	260G3-219/168.4	260G2-219/168.6	260G3-219/168.6

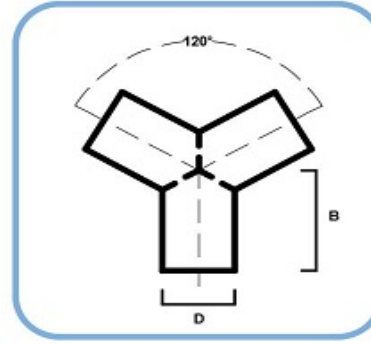


**Art. /300YI**

Y ISO decapate 120°

Y ISO pickled 120°

DN	D	B	COD.ART. 304L	COD.ART. 316L
8	13,7	50	300YI-13,7,4	300YI-13,7,6
10	17,2	50	300YI-17,2,4	300YI-17,2,6
15	21,3	60	300YI-21,3,4	300YI-21,3,6
20	26,9	65	300YI-26,9,4	300YI-26,9,6
25	33,7	70	300YI-33,7,4	300YI-33,7,6
32	42,4	75	300YI-42,4,4	300YI-42,4,6
40	48,3	80	300YI-48,3,4	300YI-48,3,6
50	60,3	85	300YI-60,3,4	300YI-60,3,6
65	76,1	90	300YI-76,1,4	300YI-76,1,6
80	88,9	95	300YI-88,9,4	300YI-88,9,6
100	114,3	100	300YI-114,3,4	300YI-114,3,6
125	139,7	120	300YI-139,7,4	300YI-139,7,6
150	168,3	130	300YI-168,3,4	300YI-168,3,6
200	219	178	300YI-219,4	300YI-219,6

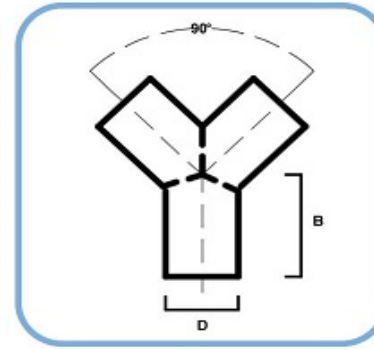


**Art. 305YI**

Y ISO decapate 90°

Y ISO pickled 90°

DN	D	B	COD.ART. 304L	COD.ART. 316L
8	13,7	50	305YI-13,7,4	305YI-13,7,6
10	17,2	50	305YI-17,2,4	305YI-17,2,6
15	21,3	60	305YI-21,3,4	305YI-21,3,6
20	26,9	65	305YI-26,9,4	305YI-26,9,6
25	33,7	70	305YI-33,7,4	305YI-33,7,6
32	42,4	75	305YI-42,4,4	305YI-42,4,6
40	48,3	80	305YI-48,3,4	305YI-48,3,6
50	60,3	85	305YI-60,3,4	305YI-60,3,6
65	76,1	90	305YI-76,1,4	305YI-76,1,6
80	88,9	95	305YI-88,9,4	305YI-88,9,6
100	114,3	100	305YI-114,3,4	305YI-114,3,6
125	139,7	120	305YI-139,7,4	305YI-139,7,6
150	168,3	130	305YI-168,3,4	305YI-168,3,6
200	219	178	305YI-219,4	305YI-219,6

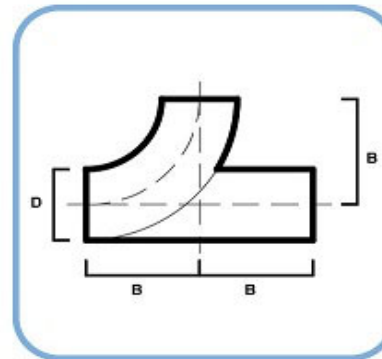


**Art. 310/EI**

Tee con curva Iso decapatti

Tee with band Iso pickled

DN	D	B	COD.ART. 304L	COD.ART. 316L
8	13,7	25	310EI-13,7,4	310EI-13,7,6
10	17,2	25	310EI-17,2,4	310EI-17,2,6
15	21,3	50	310EI-21,3,4	310EI-21,3,6
20	26,9	50	310EI-26,9,4	310EI-26,9,6
25	33,7	55	310EI-33,7,4	310EI-33,7,6
32	42,4	75	310EI-42,4,4	310EI-42,4,6
40	48,3	65	310EI-48,3,4	310EI-48,3,6
50	60,3	80	310EI-60,3,4	310EI-60,3,6
65	76,1	105	310EI-76,1,4	310EI-76,1,6
80	88,9	125	310EI-88,9,4	310EI-88,9,6
100	114,3	140	310EI-114,3,4	310EI-114,3,6
125	139,7	187	310EI-139,7,4	310EI-139,7,6
150	168,3	190	310EI-168,3,4	310EI-168,3,6
200	219	200	310EI-219,4	310EI-219,6

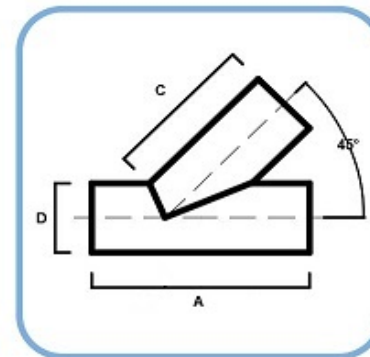


**Art. 320/KD**

Tee 45° Iso decapatti

Tee 45° Iso pickled

DN	D	A	C	COD.ART. 304L	COD.ART. 316L
10	13,7	50	40	320KD-12,4	320KD-12,6
15	17,2	55	41,5	320KD-18,4	320KD-18,6
20	21,3	80	63	320KD-22,4	320KD-22,6
25	26,9	100	5	320KD-28,4	320KD-28,6
32	33,7	110	73,7	320KD-34,4	320KD-34,6
40	42,4	120	97	320KD-40,4	320KD-40,6
50	48,3	130	107	320KD-52,4	320KD-52,6
65	60,3	160	107	320KD-70,4	320KD-70,6
80	76,1	210	90	320KD-85,4	320KD-85,6
100	88,9	250	186	320KD-101,6,4	320KD-101,6,6
100	114,3	280	195	320KD-104,4	320KD-104,6
125	139,7	374	232	320KD-125,4	320KD-125,6
150	168,3	380		320KD-154,4	320KD-154,6
200	219	400		320KD-204,4	320KD-204,6



**Art. 325/DI**

Doppia curva Iso decapatti

Double bend Iso pickled

		304L	316L
21,3	28	325DI-21,3,4	325DI-21,3,6
26,9	28,5	325DI-26,9,4	325DI-26,9,6
33,7	38	325DI-33,7,4	325DI-33,7,6
42,4	47,6	325DI-42,4,4	325DI-42,4,6
48,3	57,1	325DI-48,3,4	325DI-48,3,6
60,3	76,1	325DI-60,3,4	325DI-60,3,6
76,1	96	325DI-76,1,4	325DI-76,1,6
88,9	114,3	325DI-88,9,4	325DI-88,9,6
114,3	152,5	325DI-114,3,4	325DI-114,3,6
139,7	190,5	325DI-139,7,4	325DI-139,7,6
168,3	228,5	325DI-168,3,4	325DI-168,3,6

